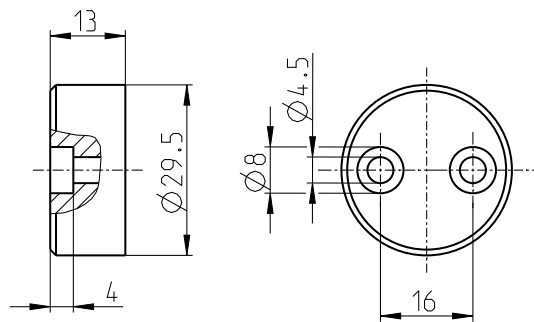


Magnetic Switch

Coded Switching Magnet

Description **TK-53-CD/2 SN8**

Article number **6402053087**



Mechanical data

Enclosure	PA6.6 black (encapsulated magnets)
Magnet	Neodym-iron-boron (NdFeB)
Ambient air temperature	-20 °C ... +80 °C
Application	Magnetic limit switch type MAK 53
Installation position	operator definable
Pollution degree	3 acc. to EN 60947-1

Approvals



UL Listed, Ind. Cont. Eq.